

# Emergency Stop and Safety Gate Modules NA1/2-D

CARLO GAVAZZI



- Safety Category 4 according to EN 954-1
- Redundant circuit
- Force guided relay contacts
- Dual channel input
- 2 NO safety outputs
- Failure diagnosis by LEDs
- Feedback circuit for external contactors monitoring
- Automatic or manual start
- Approval: TUV pending

## Product Description

Emergency stop and safety gate module according to EN 60204-1, EN 292-1 /-2, EN 418 and EN 1088. The safety module is in safety category 4 and is provided with 2 NO

safety outputs. It can be used together with safety magnetic sensors SMS series, safety switches or emergency push buttons.

## Ordering Key

NA1/2-D

Case \_\_\_\_\_  
 Application \_\_\_\_\_  
 Controlled Devices \_\_\_\_\_  
 Safety Outputs \_\_\_\_\_  
 Safety Category \_\_\_\_\_

## Electrical Specifications

|                       |  |
|-----------------------|--|
| Power supply          | 24 Vac -15/+10% 50-60Hz /<br>24 Vdc -15/+10% |
| Power consumption     | < 5 VA / 5 W                                 |
| Input current/voltage | 70 mA @ 24 Vdc, without load                 |
| Safety outputs        | 2 NO   |
| Auxiliary outputs     | --   |

|  |   |
|--|---|
| Safety output switching voltage /current /capability | AC 230/240 Vac/8A/1380VA<br>DC 300 V/6A/1380 VA   |
| Safety output contact fuse protection                | 5 A fast or 4 A delayed   |
| Insulation voltage                                   | 2.5 KV for signal parts;<br>4.0 KV for safety output parts:<br>Pollution degree 2<br>Overvoltage category III |

## Time Specifications

|                          |          |
|--------------------------|----------|
| Delay on energisation    | ≤ 150 ms |
| Delay on de-energisation | ≤ 25 ms  |
| Channel simultaneity     | ∞        |

## Environmental Specifications

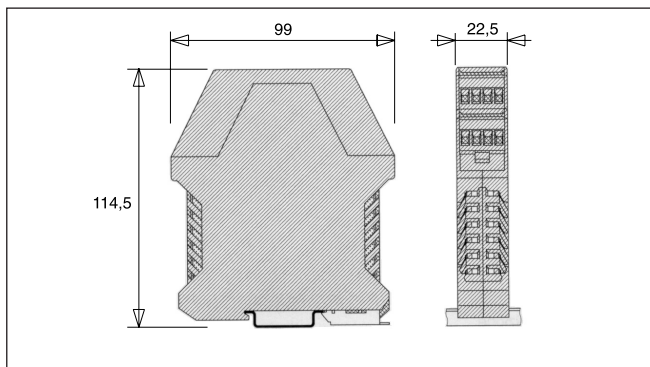
|                       |                 |
|-----------------------|-----------------|
| Operating temperature | -20°C to + 65°C |
| Storage temperature   | -25°C to + 65°C |

## Mechanical Specifications

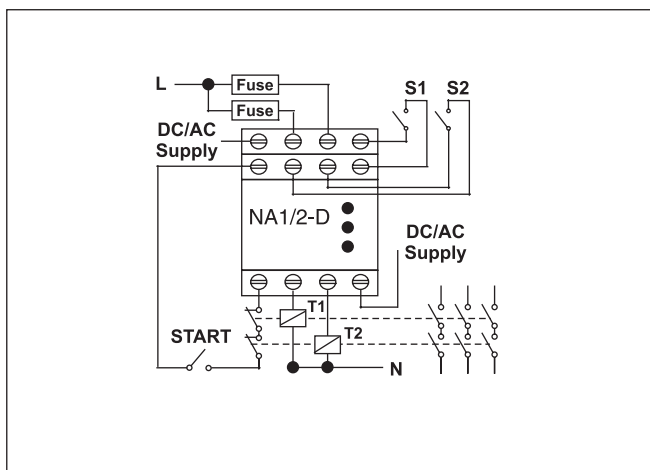
|                             |                        |
|-----------------------------|------------------------|
| Protection degree terminals | IP 20                  |
| Protection degree housing   | IP 40                  |
| Housing material            | Polyamid PA 6.6        |
| Housing type                | 22.5 mm housing models |
| Mounting                    | DIN rail               |

|  |   |
|--|---|
| Max cross section of external conductors | 2.5 mm <sup>2</sup> flexible wire<br>2.5 mm <sup>2</sup> rigid wire |
| Dimensions (H x W x D)                   | 99x22.5x105 mm  |
| Weight                                   | 200 g   |

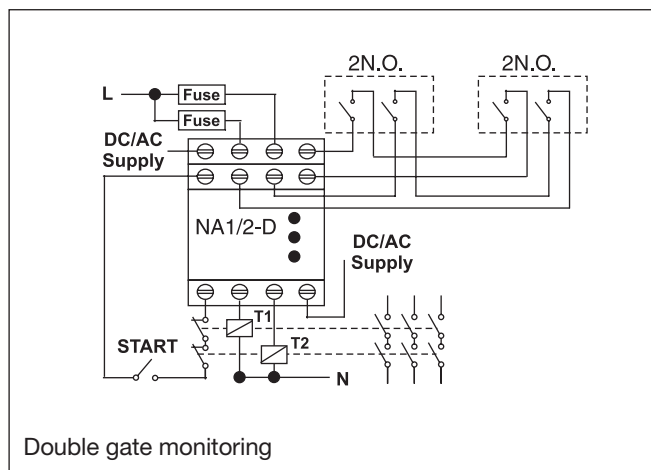
## Dimensions



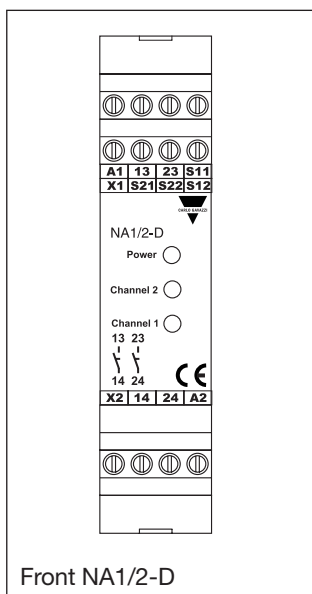
## Wiring Diagrams



## Application



## Connection Sample



Front NA1/2-D

## Connections

| Terminal | Function/Connection              |
|----------|----------------------------------|
| A1       | +24 Vdc or AC supply             |
| A2       | GND or AC supply                 |
| S11-S12  | First input channel (NO)         |
| S21-S22  | Second input channel (NO)        |
| X1-X2    | Feedback and Reset circuit input |
| 13-14    | First safety output (NO)         |
| 23-24    | Second safety output (NO)        |