


Micro Switch KH-9015



Model	OF Max.	RF min.	PT Max.	OT min.	MD Max.	FP Max.	OP	Material	
KH-9015 -PBF		380g	110g	1.0mm	1.3mm	0.13mm	-	28.2mm±0.6	Body: Phenol Pushbutton: Brass (Ni Plated) Roller: Stainless steel
KH-9015 -RP		380g	110g	1.0mm	5.2mm	0.13mm	-	21.8mm±0.8	
KH-9015 -PBL		380g	110g	1.0mm	1.3mm	0.13mm	-	21.2mm±0.8	
KH-9015 -PBS		380g	110g	1.0mm	3.2mm	0.13mm	-	33.3mm±1.4	
KH-9015 -HP		70g	24g	7.6mm	7.6mm	1.3mm	31.0mm	23.4mm±0.8	Body: Phenol Lever: Stainless Steel Roller: Stainless steel
KH-9015 -CRP		380g	110g	1.0mm	1.0mm	0.13mm	-	33.4mm±1.4	
KH-9015 -HL		100g	14g	10mm	4.0mm	2.4mm	28.2mm	19.1mm±1.0	
KH-9015 -HLL		70g	14g	12.2mm	7mm	1.5mm	33.0mm	19.0mm±0.8	







Koino[®]

www.koino.com

Copyright © 2009 KunHung Electric Co., Ltd. All rights reserved.

Micro Switch KH-9015



Model	OF Max.	RF min.	PT Max.	OT min.	MD Max.	FP Max.	OP	Material	
KH-9015-HRL 	100g	14g	8.0mm	3.6mm	2.4mm	36.5mm	30.2mm±1.0	Body: Phenol Lever: Stainless Steel Roller: Stainless steel	
KH-9015-HLZ 	130g	31g	5.5mm	3.4mm	0.8mm	36.0mm	30.5mm±0.4		
KH-9015-HRS 	160g	28g	5.0mm	2.0mm	1.2mm	32.5mm	30.2mm±1.0		
KH-9015-HRM 	180g	30g	5.0mm	2.0mm	1.2mm	44.0mm	38.5mm±2.0		
KH-9115-HRS 	160g	28g	-	2.6mm	1.2mm	43.6mm	41.3mm±0.8		Body:P henol Lever: Stainless Steel Roller: Stainless steel Acetal (HRWS)
KH-9015-HRSW 	160g	28g	5.0mm	2.0mm	1.2mm	32.5mm	30.2mm±1.0		

Koino[®]

www.koino.com

Copyright © 2009 KunHung Electric Co., Ltd. All rights reserved.

Micro Switch KH-9015



Specification

Allowed Operating Velocity		0.1mm/s~1mm/s
Operating Frequency	Mechanical	240 operations/minute
	Electrical	20 operations/minute
Insulation Resistance		100MΩ min. (DC500V)
Contact Resistance		15mΩ Max.
Dielectric Strength	Between live parts	1,000VAC(50/60Hz) for 1 minute
	Between dead parts	2,000VAC(50/60Hz) for 1 minute
Vibration Resistance	Malfunction	10~55Hz double amplitude 1.5mm, X,Y,Z at each direction
Shock Resistance	Destruction	100G
	Malfunction	5G
Durability	Mechanical	5,000,000 operations
	Electrical	500,000 operations
Protection		IP50
Ambient Temperature		-25~+80°C(not freezing condition)
Ambient Humidity		45~85% RH
Weight		31.5~59.5g

Contact Ratings

Rated Voltage	Resistive Load		Inductive Load		Motor Load	
	NC	NO	NC	NO	NC	NO
125VAC	15A		10A		3A	1.5A
250VAC	10A		6A		2A	1A
500VAC	3A		2A		1.5A	0.75A
8VDC	15A		10A		-	-
14VDC	15A		10A		-	-
30VDC	10A		6A		-	-
125VDC	0.6A		0.1A		-	-
250VDC	0.3A		0.05A		-	-

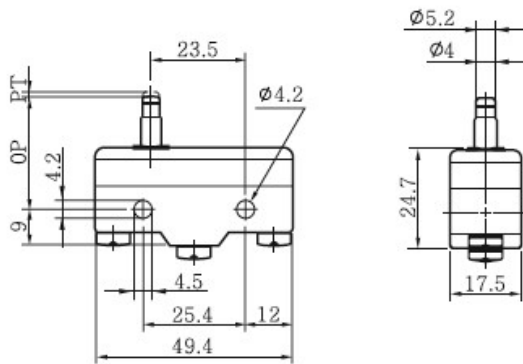
Koino[®]

www.koino.com

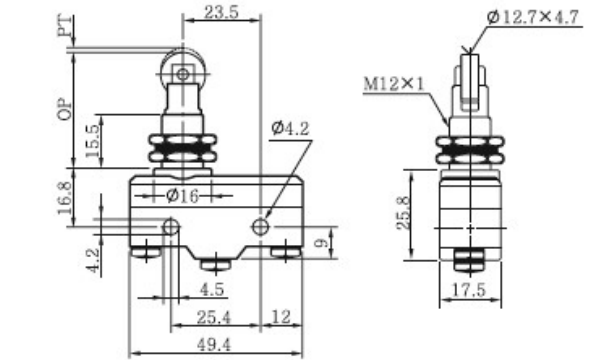
Copyright © 2009 KunHung Electric Co., Ltd. All rights reserved.

Micro Switch KH-9015

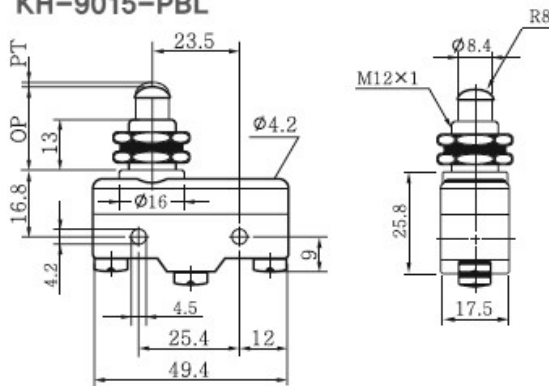
KH-9015-PBF



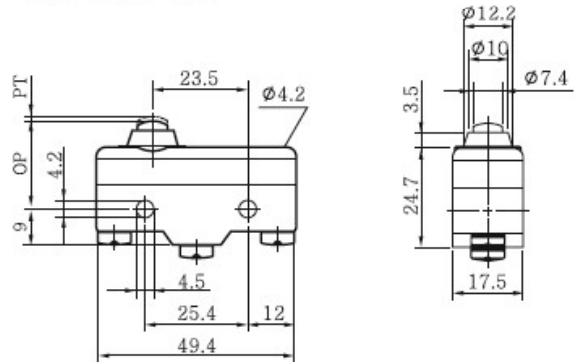
KH-9015-RP



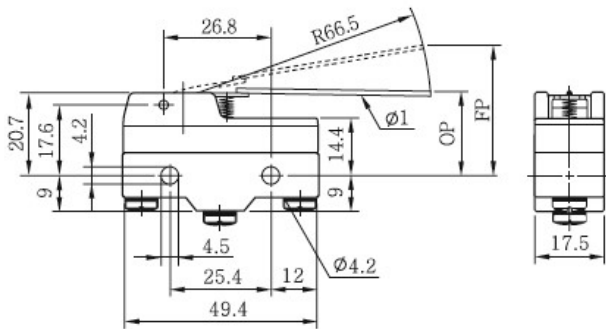
KH-9015-PBL



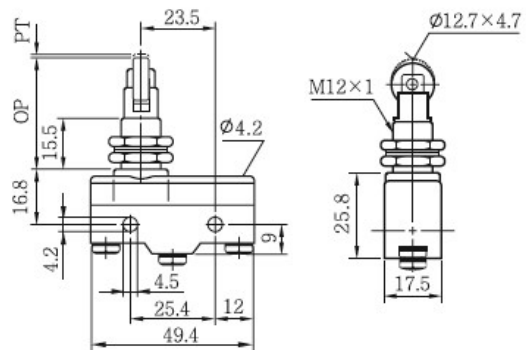
KH-9015-PBS



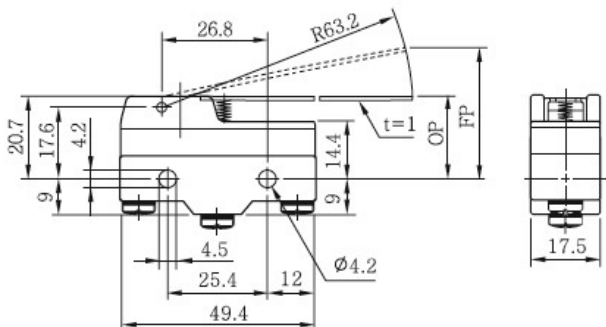
KH-9015-HP



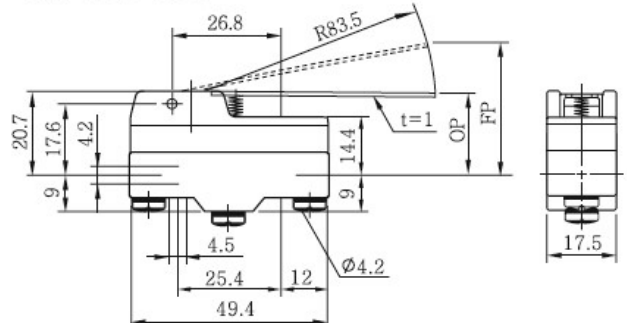
KH-9015-CRP



KH-9015-HL



KH-9015-HLL



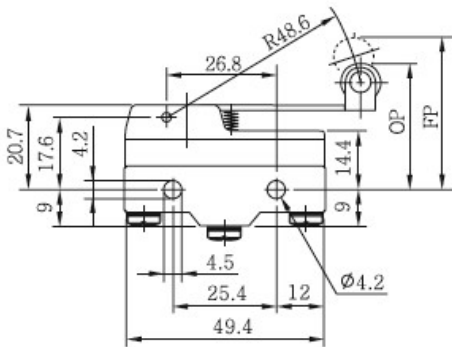
Koino[®]

www.koino.com

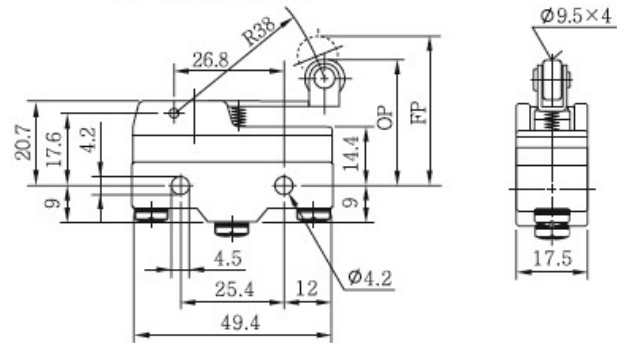
Copyright © 2009 KunHung Electric Co., Ltd. All rights reserved.

Micro Switch KH-9015

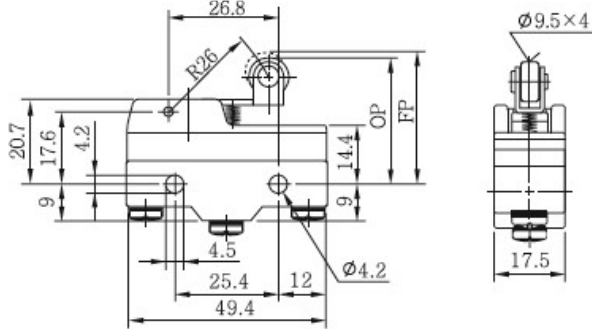
KH-9015-HRL



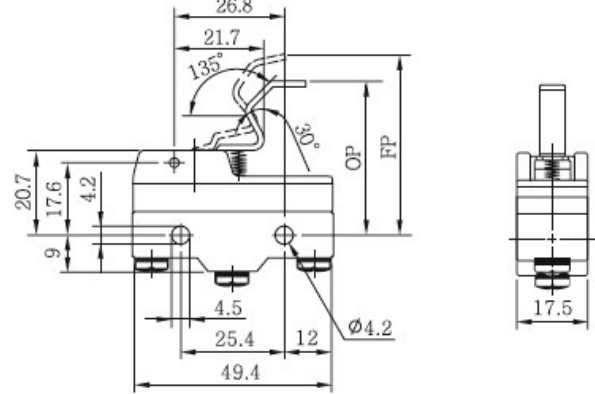
KH-9015-HRM



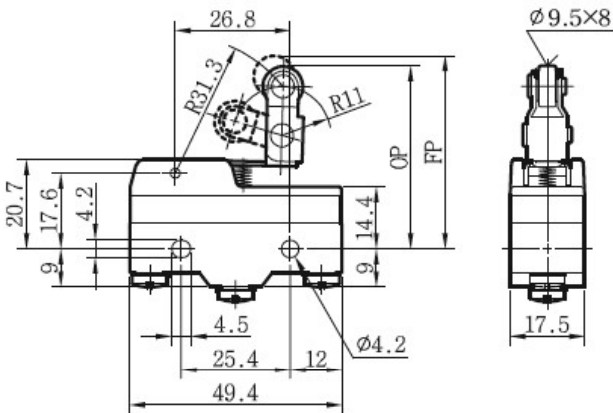
KH-9015-HRS



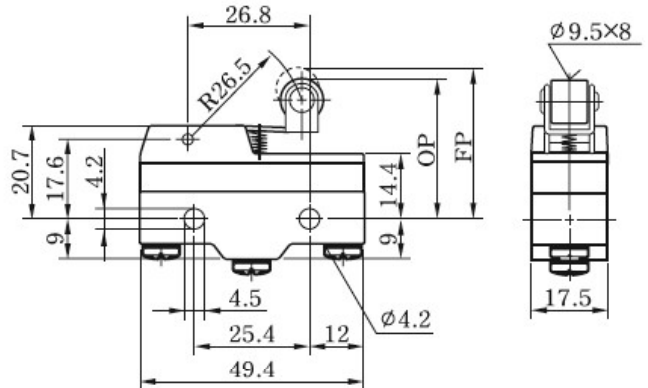
KH-9015-HLZ



KH-9115-HRS



KH-9015-HRSW



Koino®

www.koino.com

Copyright © 2009 KunHung Electric Co., Ltd. All rights reserved.