

Proximity Sensors Inductive

Short body, Stainless Steel Housing

Types IA, M5 w/short-circuit protection

CARLO GAVAZZI



- Miniature stainless steel housing M5
- Short body
- Sensing distance: 0.8 mm
- Power supply: 10 to 30 VDC
- Output: Transistor NPN/PNP, make or break switching
- Protection: Transients, reverse polarity and short-circuit protection
- LED-indication for output ON
- 2 m PVC cable or M8 plug



Product Description

Miniature inductive proximity sensor with reduced body length. Output configuration for NPN/PNP with both NO and NC types as standard. M5 stainless steel housing. Connection with 2 m PVC cable or M8 plug.

Ordering Key

IA 05 BSF 10 NO M5 P

Ind. prox. switch	IA
Housing style	05
Housing size	BSF
Housing material	10
Housing length	NO
Detection principle	M5
Sensing distance	P
Output type	
Output configuration	
Connection	
Protected	

Type Selection

Rated operating dist. (S _n)	Conn. type	Ordering no. Transistor NPN Normally open	Ordering no. Transistor NPN Normally closed	Ordering no. Transistor PNP Normally open	Ordering no. Transistor PNP Normally closed
0.8 mm ¹⁾	Cable	IA 05 BSF 10 NO P	IA 05 BSF 10 NC P	IA 05 BSF 10 PO P	IA 05 BSF 10 PC P
0.8 mm ¹⁾	Plug	IA 05 BSF 10 NO M5 P	IA 05 BSF 10 NC M5 P	IA 05 BSF 10 PO M5 P	IA 05 BSF 10 PC M5 P

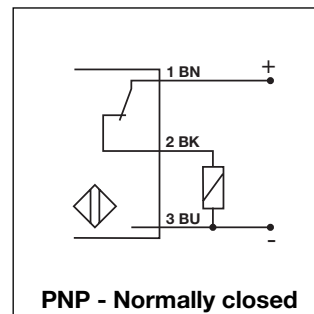
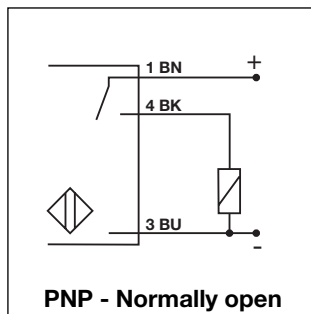
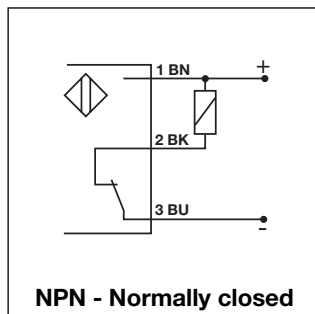
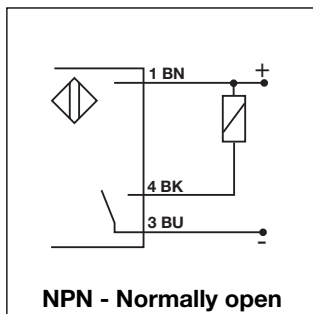
¹⁾ For flush mounting in metal

Specifications

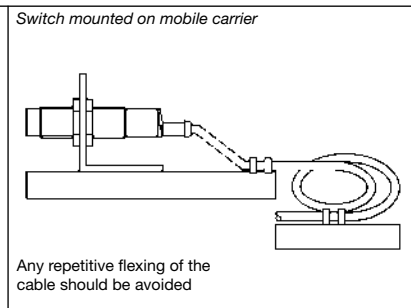
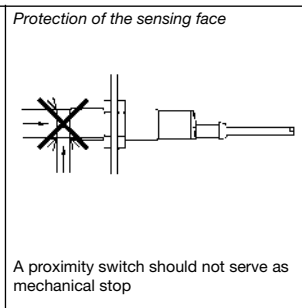
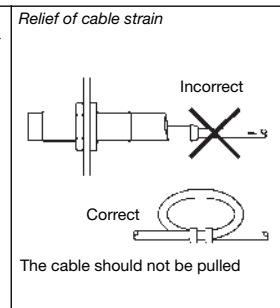
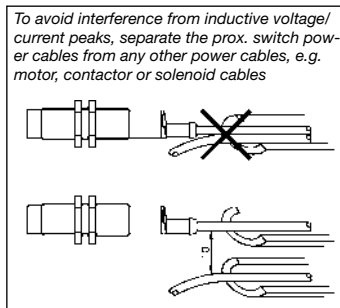
Rated operational volt. (U _B)	10 to 30 VDC (ripple included)	Degree of protection	IP 67 (Nema 1, 3, 4, 6, 13)
Ripple	≤ 10%	Housing material	Stainless steel, AISI 303
Rated operational current (I _a) Continuous	≤ 200 mA	CE-marking	Yes
No-load supply current (I _o)	≤ 10 mA (ON)	Connection	2 m, PVC, oil proof AWG 26/ 3 x 0.15 mm ² M8, CONH5A-xxx Serie
Voltage drop (U _d)	< 1.0 V (@ I _{max})	Cable	
Protection	Transients, reverse polarity and short-circuit protection	Plug	
Frequency of operating cycles (f)	2000 Hz		
Indication for output ON	LED, red		
Effective operating dist. (S _r)	0.9 x S _n ≤ S _r ≤ 1.1 x S _n		
Usable operating dist. (S _u)	0.85 x S _r ≤ S _u ≤ 1.15 x S _r		
Ambient temperature			
Operating	-25° to +70°C (-13° to +158°F)		
Storage	-30° to +75°C (-22° to +167°F)		



Wiring Diagrams



Installation Hints



Dimensions

