

Proximity Magnetic Sensors Explosive Environment Sensors FS Atex Series - Encapsulated



- Cylindrical AISI 303 stainless steel housing
- Front side switching
- Encapsulated, NO output function
- Halogen free PUR cable or silicone cable
- According to EN 60079-0 and EN 60079-18
- ATEX certified



Product Description

These products have been developed and approved to be used in potentially explosive areas, applying protection methods, in accordance with EN 60079-0 normative (Electrical apparatus for potentially explosive atmo-

spheres. General requirements) and EN 60079-18 (Encapsulation "m"). FS magnetic sensors are in category 2, suitable for zone 1 or 2 (gas), 21 or 22 (dust).

Ordering Key

FS Q A2 B01 SL EX

Type _____
 Housing type _____
 Contact type _____
 Cable protection _____
 Cable material _____
 ATEX certified _____

Atex Marking

As for 94/9/EC (ATEX) Directive, products are marked:



Marking as for ATEX directive: **II 2 G or II 2 D**

- **II**: group, it identifies the surface industry.
- **2**: high protection category, allowing use in areas where an explosive atmosphere is likely to occur in normal operation (zone 1 and 21, covering also zone 2 and 22).
- **G**: presence of gases, vapours and mists (zone 1).
- **D**: presence of explosive dust (zone 21).
- **Ex**: product realized for use in explosive environments.
- **mb**: level of protection for encapsulation. The device is not capable of causing ignition in normal operation and in defined failure conditions.
- **IIC**: group of explosive gases (Hydrogen/Acetylene, valid also for groups IIA-Propane and IIB-Ethylene).
- **IIIC**: group of explosive dust (conductive dust, valid also for group IIIA-combustible flyings and IIIB-non conductive dust).
- **T5**: maximum surface temperature 100°C (gas or vapour ignition temperature > 100°C).
- **T 100°C IP67**: max surface temperature and protection degree, with reference to presence of explosive dusts.
- **Gb, Db**: equipment protection level respectively for gas and dust, according to EN60079-0. Equipment with high level of protection, which is not source of ignition in normal operation or during expected malfunctions.

Type Selection

Housing type	Output function	Cable protection	Cable	Reference
Cylindrical, AISI 303	NO	Grey spiral sheathing	2 m, silicone	FS Q A2 B01 SL EX
Cylindrical, AISI 303	NO	-	2 m, halogen free PUR	FS Q A2 HF EX



Output Specifications

Output	NO
Contact ratings	
Max Switching Voltage	250 VAC
Max Switching Current	3 A
Max Switching Power	100 VA

Operating Distance

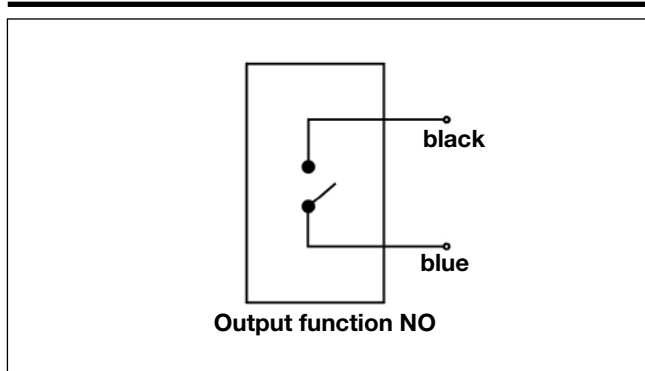
Magnetic units	CL20S3	CL90
FSQA2B01SLEX	8	30
FSQA2HFEX	8	30

Distances are specified in millimeters (mm)
 xx: operating distance (for all Output functions).

General Specifications

Operating distance	See Operating Distance table
Suitable magnetic unit	See Operating Distance table
Operating temperature	-20 to +60 °C
Degree of protection	IP 67 IP 66 (FSQA2HFEX)
Housing	
Diameter	PG 13.5 mm
Material	AISI 303 stainless steel
Approvals	ATEX
CE-marking	Yes

Wiring Diagrams



Dimensions

