

# Hour meter

## 24 x 48 digital hours meters

### Types FSA01, FSA02



- 8-digit LCD display
- 8 mm digits
- Reset button with locking function
- 8 years battery lifetime
- Electrical or manual reset input
- Setting time mode (through electrical control)
- For front panel mounting
- 24 x 48 mm housing

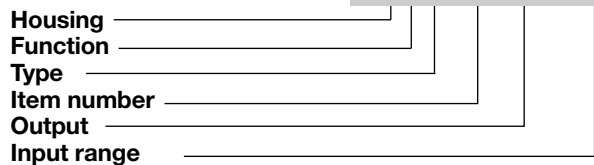
### Product Description

24 x 48 mm hour meters for flush mounting. 10 to 260 V AC or DC input. The front key, which can be locked, allows fast and easy input

reset. NPN input to set the time range (Mode) and to enable the device reset.

### Ordering Key

**FSA 01 X W24**



### Type Selection

Mounting	Input	Model	Time range
Front panel	10 to 260 V DC/AC	FSA01XW24	99999h 59m or 99999.99h
Front panel	10 to 260 V DC/AC	FSA02XW24	9999h 59m 59s or 9999999.9s

### Input Specifications

<b>Input timer</b>	
Input type	Optocoupler (10 to 260 V AC/DC)
Low level	0 to 2 V AC/DC
High level	10 to 260 V AC/DC
Input resistance	≈ 160 kΩ
<b>Reset</b>	
Input type	Optocoupler (10 to 260 V AC/DC)
Low level	0 to 2V AC/DC
High level	10 to 260 V AC/DC
Min pulse time	16 ms
Max frequency	30 Hz
Input resistance	≈ 160 kΩ
<b>Electrical locking of the reset key</b>	
Input type	NPN open collector or voltage free contact
Low level	0 to 0,7 VDC
High level	3 to 5 VDC
Input resistance	≈ 2,2 MΩ
<b>Time range switching</b>	
Input type	NPN open collector or voltage free contact
Low level	0 to 0,7 V DC
High level	3 to 30 V DC
Input resistance	≈ 2,2 MΩ

### General Specifications

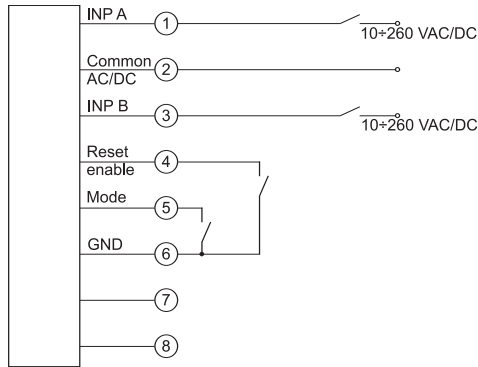
<b>Power supply</b>	Non-replaceable lithium battery (lifetime up to 8 years at 20°C)
<b>Display</b>	
Counting range	0 to 99999999 (with zero suppression)
Digit height	8 mm
<b>Environment</b>	(EN 60529)
Degree of protection	IP 65 front
Pollution degree	2
Operating temperature	-10° to +55°C, R.H.<85%
Storage temperature	-20° to +70°C
<b>Housing dimesions</b>	24 x 48 mm
<b>Weight</b>	50 g
<b>Panel cut out</b>	22,2 <sup>+0,3</sup> x 45 <sup>+0,6</sup> mm
<b>Screw terminals</b>	
Tightening torque	Max. 0.5 Nm according to IEC EN 60947
<b>Accuracy</b>	<100 ppm
<b>Approvals</b>	UL
<b>CE Marking</b>	Yes
<b>EMC</b>	
Immunity	Electromagnetic Compatibility According to EN 61000-6-2
Emission	According to EN 61000-6-3

## Pin assignment and adjustable operating modes

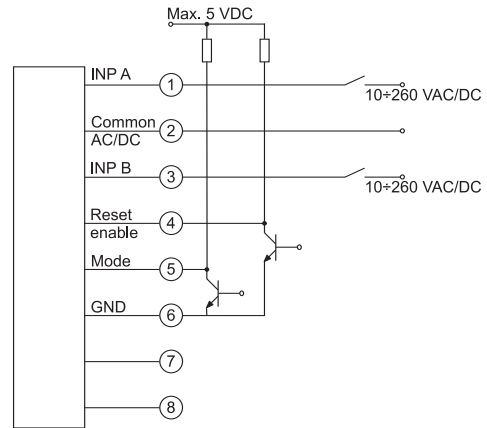
Screw terminal	1	2	3	4	5		6	7	8
<b>Designation</b>	INP A	Common	INP B	Reset Enable	Time range control input (Mode)		GND	-	-
<b>Model</b>									
<b>FSA01XW24</b>	Timer input	Common connection for INP A and INP B	Reset input	Reset key locking input (NPN)	Not active= 99999h 59m	Contact with GND= 99999,99h	0 VDC	No function	No function
<b>FSA02XW24</b>					Not active= 9999h 59m 59s	Contact with GND= 9999999,9s			

## Wiring Diagram

**FSA01XW24 - FSA02XW24**  
(Reset enable and Mode: voltage free contact inputs)



**FSA01XW24 - FSA02XW24**  
(Reset enable and Mode: NPN inputs)



## Dimensions

