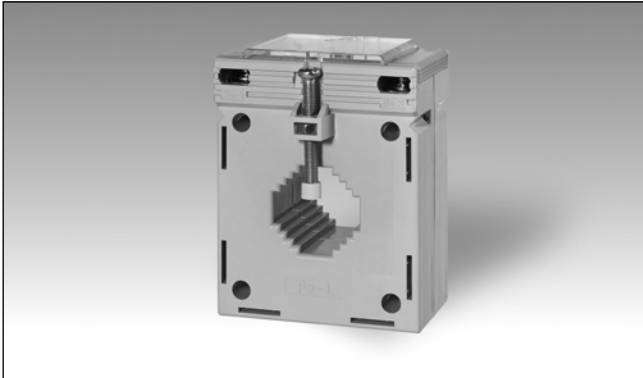


# Accessories

## AC Current Transformer

### Type CTD-2Z

CARLO GAVAZZI



- Cable and bus-bar type current transformer
- Class 0.5, currents from 40 to 600 A
- Removable panel fixing clips
- 2 cable/bus-bar isolated fixing screws

## Product Description

Cable and bus-bar type current transformer with cable/bus-bar and panel mounting facility. Rated primary currents from 40 to 600 A.

## Ordering Key

**CTD-2Z 200 5A XXX**

Model \_\_\_\_\_  
 Primary current \_\_\_\_\_  
 Secondary current \_\_\_\_\_  
 Option \_\_\_\_\_

## Type Selection

| Primary current  | Secondary current | Option    |
|------------------|-------------------|-----------|
| From 40 to 600 A | 5A                | XXX: none |

(Refer to Range Table)

## Input Specification

|                           |                    |
|---------------------------|--------------------|
| Operating frequency       | 50/60Hz            |
| Max. system voltage       | 0.72 kV            |
| Rated insulation level    | 3 kV/1 min @ 50 Hz |
| Insulation class          | B                  |
| Short-time current rating |                    |
| $I_{th}$                  | 60 In/1s           |

## Output Specification

|                         |    |
|-------------------------|----|
| Rated secondary current | 5A |
|-------------------------|----|

## General Specification

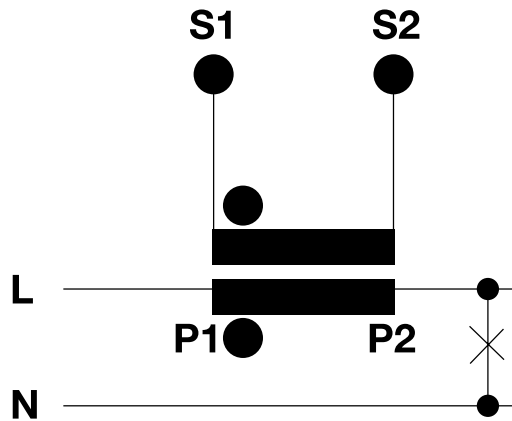
|                      |  |                          |   |
|----------------------|--|--------------------------|---|
| Standards            | According to EN61869-2   | Approvals                | CE  |
| Housing material     | ABS  | Connection               | Screw type (4x10 mm fork lugs required)                                 |
| Mounting             | Cable/bus-bar and panel mounting   | Cable cross section area | 2.5mm <sup>2</sup>  |
| Standard accessories | Two cable/bus-bar fixing screws.<br>Two plastic caps for cable/bus-bar fixing screws.<br>Four panel mounting fixing clips.<br>Terminal block covers. | Torque                   | Max screws tightening torque relevant to terminal block screws: 2.6 Nm. |
| Working temperature  | -10°C~50°C   | Protection degree        | IP 20   |
| Storage temperature  | -10°C~50°C   | Cable diameter           | Max. 28 mm  |
|                      |  | Bus-Bar size             | Max. 30x10; 25x15; 20x20  |
|                      |  | Weight                   | Approx. 580 g   |

## Range Table

| Model CTD-2Z from 40 A to 200 A |       |             |
|---------------------------------|-------|-------------|
| Primary current<br>A            | Class | Burden (VA) |
| 40                              | 3     | 2.5         |
| 50                              | 3     | 2.5         |
| 100                             | 0.5   | 2.5         |
| 150                             | 0.5   | 2.5         |
| 200                             | 0.5   | 3.75        |

| Model CTD-2Z from 250 A to 600 A |       |             |
|----------------------------------|-------|-------------|
| Primary current<br>A             | Class | Burden (VA) |
| 250                              | 0.5   | 5           |
| 300                              | 0.5   | 5           |
| 400                              | 0.5   | 5           |
| 500                              | 0.5   | 5           |
| 600                              | 0.5   | 5           |

## Wiring Diagram



## Dimensions (mm)

